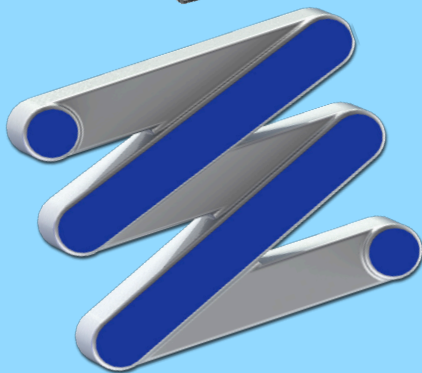
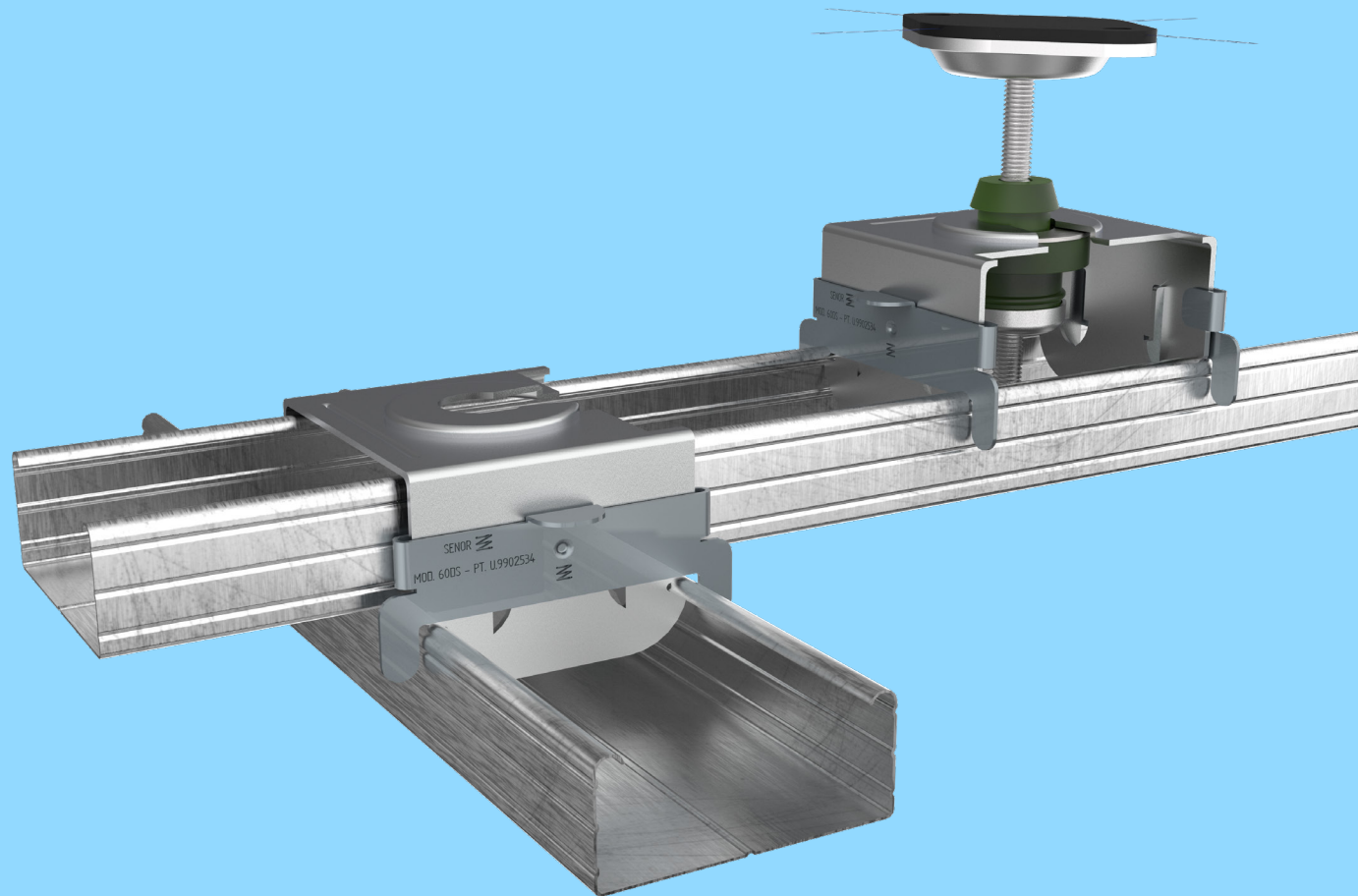


Tarifa CONSTRUCCIÓN

2023

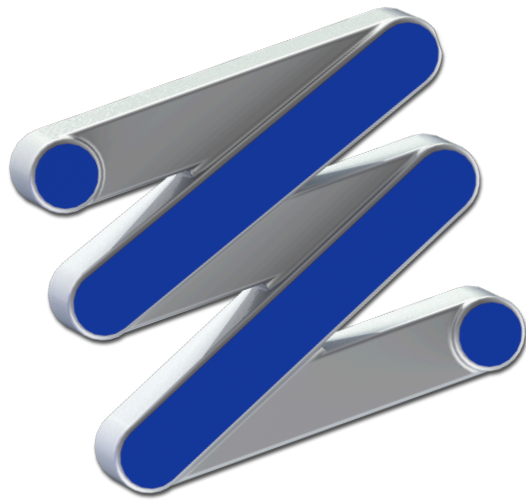
 YouTube

*SENOR Aisladores Acústicos



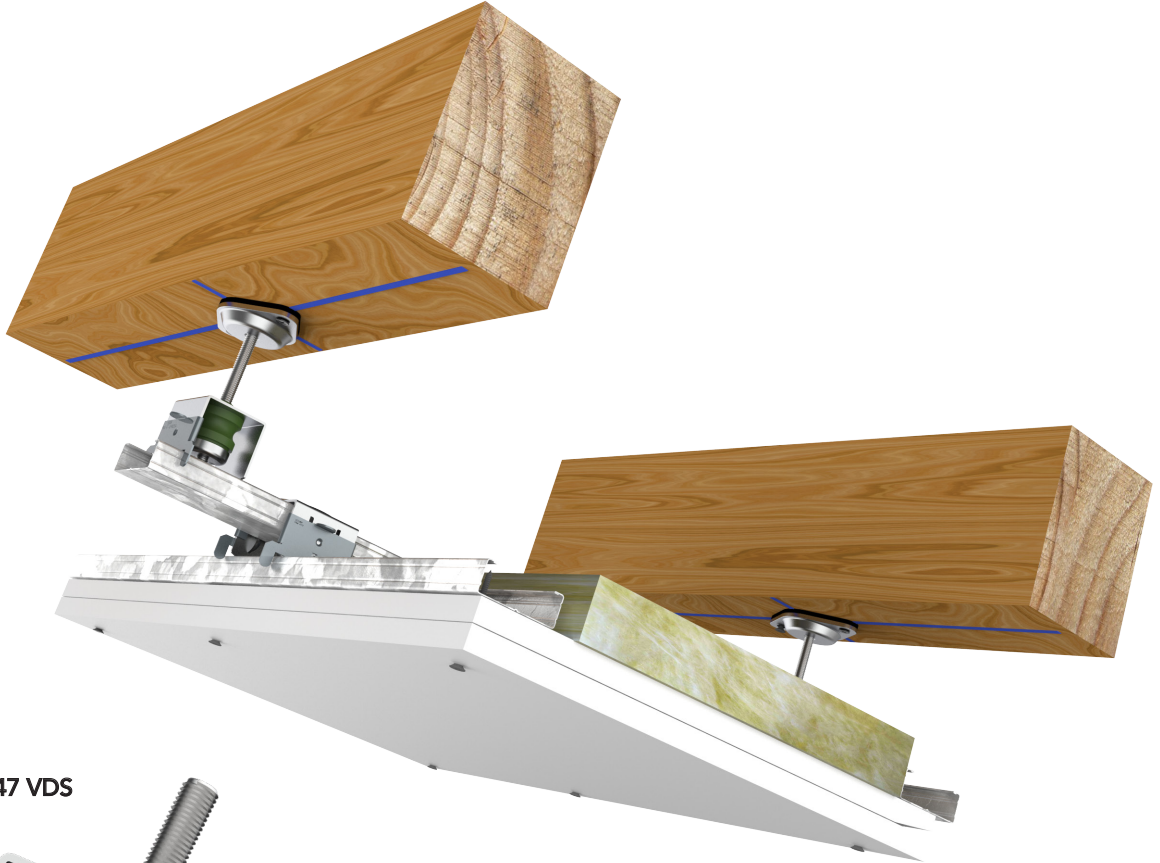
SENOR

1^a
Edición

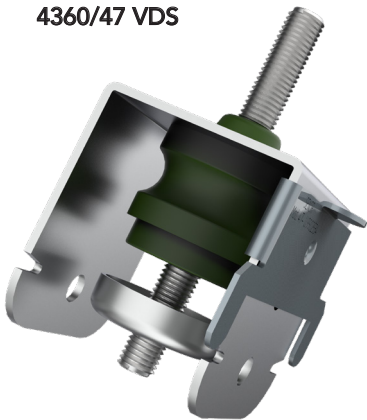


SEÑOR

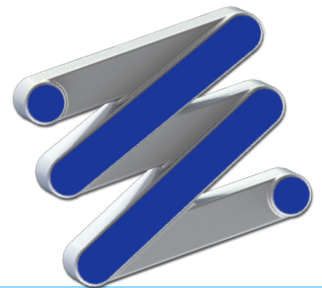
2023



4360/47 VDS

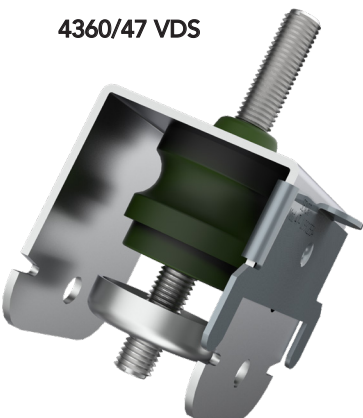


4360/60ADS/M8



Techo ACÚSTICO / GOMA

4360/47 VDS

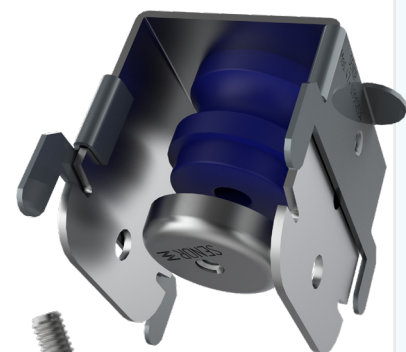


| Referencia | Uds./Caja | P.V €/Caja | €/Ud |
|------------|-------------|-------------|----------|
| Reference | Units / box | RRP € / box | € / Unit |

PERFIL / PROFILE: 45/48

| | | | |
|--------------------------------|------------|-----------------|---------------|
| SE-4360/47 ADS-M6/30 | 30 | 154,56 € | 5,16 € |
| SE-4360/47 ADS-M6/100 | 100 | 499,15 € | 5,00 € |
| SE-4360/47 VDS-M6/30 | 30 | 144,18 € | 4,81 € |
| SE-4360/47 VDS-M6/100 | 100 | 461,88 € | 4,62 € |
| SE-4360/47 ADS/2-M6/30 | 30 | 181,31 € | 6,05 € |
| SE-4360/47 ADS/2-M6/100 | 100 | 585,68 € | 5,86 € |
| SE-4360/47 VDS/2-M6/30 | 30 | 170,52 € | 5,69 € |
| SE-4360/47 VDS/2-M6/100 | 100 | 549,74 € | 5,50 € |
| SE-4360/47 ADS-M8/30 | 30 | 207,27 € | 6,91 € |
| SE-4360/47 ADS-M8/100 | 100 | 676,17 € | 6,77 € |
| SE-4360/47 VDS-M8/30 | 30 | 196,49 € | 6,55 € |
| SE-4360/47 VDS-M8/100 | 100 | 637,59 € | 6,38 € |
| SE-4360/47 ADS/2-M8/30 | 30 | 234,43 € | 7,82 € |
| SE-4360/47 ADS/2-M8/100 | 100 | 764,03 € | 7,65 € |
| SE-4360/47 VDS/2-M8/30 | 30 | 222,84 € | 7,43 € |
| SE-4360/47 VDS/2-M8/100 | 100 | 724,11 € | 7,25 € |

4360/47 ADS/2



PERFIL / PROFILE: 60 mm

| | | | |
|-------------------------------|-----------|-----------------|---------------|
| SE-4360/60 ADS-M6/24 | 24 | 130,03 € | 5,42 € |
| SE-4360/60 ADS-M6/80 | 80 | 419,56 € | 5,25 € |
| SE-4360/60 VDS-M6/24 | 24 | 120,45 € | 5,02 € |
| SE-4360/60 VDS-M6/80 | 80 | 386,55 € | 4,84 € |
| SE-4360/60 ADS/2-M6/24 | 24 | 150,80 € | 6,29 € |
| SE-4360/60 ADS/2-M6/80 | 80 | 490,91 € | 6,14 € |
| SE-4360/60 VDS/2-M6/24 | 24 | 140,89 € | 5,88 € |
| SE-4360/60 VDS/2-M6/80 | 80 | 456,84 € | 5,72 € |

4360/60VDS/2-M6



*Precios válidos salvo error tipográfico.

*Precios €/Ud aproximados.

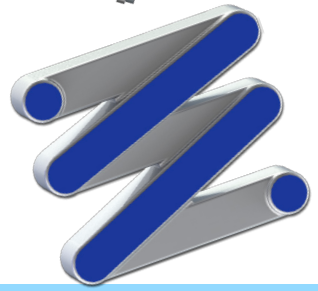
Techo ACÚSTICO / GOMA

| Referencia | Uds./Caja | P.V €/Caja | €/Ud |
|--------------------------------|-------------|-----------------|---------------|
| Reference | Units / box | RRP € / box | € / Unit |
| PERFIL / PROFILE: 60 mm | | | |
| SE-4360/60ADS-M8/24 | 24 | 171,89 € | 7,17 € |
| SE-4360/60ADS-M8/80 | 80 | 561,18 € | 7,02 € |
| SE-4360/60VDS-M8/24 | 24 | 162,94 € | 6,79 € |
| SE-4360/60VDS-M8/80 | 80 | 530,30 € | 6,63 € |
| SE-4360/60ADS/2-M8/24 | 24 | 193,61 € | 8,07 € |
| SE-4360/60ADS/2-M8/80 | 80 | 630,39 € | 7,88 € |
| SE-4360/60VDS/2-M8/24 | 24 | 184,34 € | 7,69 € |
| SE-4360/60VDS/2-M8/80 | 80 | 598,45 € | 7,49 € |



Nuevo

| PERFIL / PROFILE: STIL PRIM-100 | | | |
|--|-----------|-----------------|---------------|
| SE-HORQ CAB 40 A/50-M6 | 40 | 271,03 € | 6,78 € |
| SE-HORQ CAB 45 A/50-M6 | 40 | 271,03 € | 6,78 € |
| SE-HORQ CAB 40 V/30-M6 | 40 | 253,46 € | 6,34 € |
| SE-HORQ CAB 45 V/30-M6 | 40 | 253,46 € | 6,34 € |
| SE-HORQ CAB 40 A/50-M8 | 40 | 399,01 € | 9,98 € |
| SE-HORQ CAB 45 A/50-M8 | 40 | 399,01 € | 9,98 € |
| SE-HORQ CAB 40 V/30-M8 | 40 | 381,44 € | 9,54 € |
| SE-HORQ CAB 45 V/30-M8 | 40 | 381,44 € | 9,54 € |



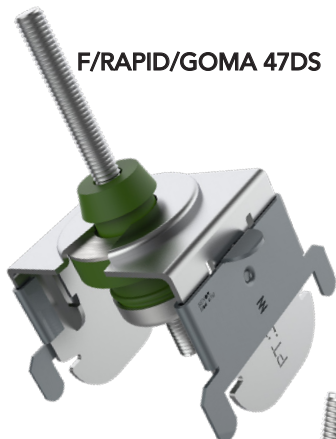


Tarifa CONSTRUCCIÓN

2023

Techo ACÚSTICO / GOMA

F/RAPID/GOMA 47DS



F/RAPID/GOMA 60DS



PL-25 A

| Referencia | Uds./Caja | P.V €/Caja | €/Ud |
|------------|-------------|-------------|----------|
| Reference | Units / box | RRP € / box | € / Unit |

Nuevo PERFIL / PROFILE: 45/48 mm

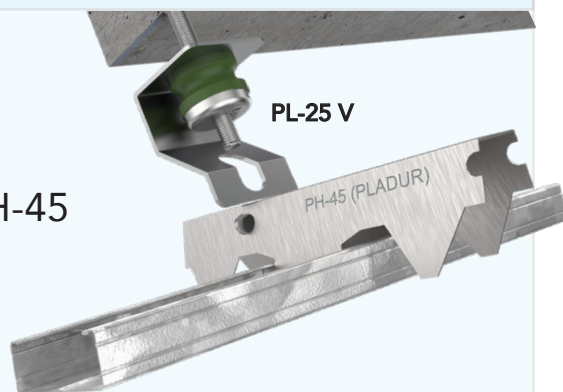
| | | | |
|--------------------------|----|----------|--------|
| SE-F/RAPID/GM 47 A/DS-M6 | 50 | 270,89 € | 5,42 € |
| SE-F/RAPID/GM 47 A/DS-M8 | 50 | 315,50 € | 6,31 € |
| SE-F/RAPID/GM 47 V/DS-M6 | 50 | 256,90 € | 5,14 € |
| SE-F/RAPID/GM 47 V/DS-M8 | 50 | 301,41 € | 6,03 € |

Nuevo PERFIL / PROFILE: 60 mm

| | | | |
|--------------------------|----|----------|--------|
| SE-F/RAPID/GM 60 A/DS-M6 | 50 | 280,86 € | 5,62 € |
| SE-F/RAPID/GM 60 A/DS-M8 | 50 | 336,11 € | 6,73 € |
| SE-F/RAPID/GM 60 V/DS-M6 | 50 | 266,23 € | 5,33 € |
| SE-F/RAPID/GM 60 V/DS-M8 | 50 | 321,47 € | 6,43 € |

PERFIL / PROFILE: PH-45

| | | | |
|---------------|----|----------|--------|
| SE-PL-25 A/M6 | 30 | 167,73 € | 5,60 € |
| SE-PL-25 A/M8 | 30 | 194,67 € | 6,49 € |
| SE-PL-25 V/M6 | 30 | 162,16 € | 5,41 € |
| SE-PL-25 V/M8 | 30 | 189,02 € | 6,31 € |



PL-25 V

PH-45 (PLADUR)

Fabricante de sistemas ANTIVIBRATORIOS

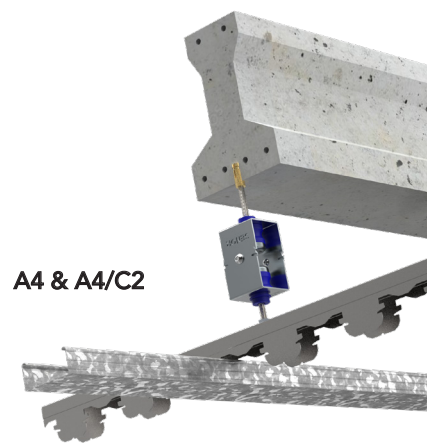
*Precios válidos salvo error tipográfico.

*Precios €/Ud aproximados.

Techo ACÚSTICO / GOMA

| Referencia | Uds./Caja | P.V €/Caja | €/Ud |
|---|-------------|-----------------|----------------|
| Reference | Units / box | RRP € / box | € / Unit |
|  <p>PERFIL / PROFILE: SR o STIL PRIM-50</p> | | | |
| SE-PL-50 A/M6-25 | 25 | 136,79 € | 5,48 € |
| SE-PL-50 A/M8-25 | 25 | 194,01 € | 7,77 € |
| SE-PL-50 V/M6-25 | 25 | 129,79 € | 5,20 € |
| SE-PL-50 V/M8-25 | 25 | 186,75 € | 7,47 € |
| SE-PL-50 A/M6-100 | 100 | 529,78 € | 5,30 € |
| SE-PL-50 A/M8-100 | 100 | 758,71 € | 7,59 € |
| SE-PL-50 V/M6-100 | 100 | 504,48 € | 5,05 € |
| SE-PL-50 V/M8-100 | 100 | 732,34 € | 7,33 € |
| <p align="center">PERFIL / PROFILE: TODOS</p> | | | |
| SE-A470 A/M6 | 50 | 340,76 € | 6,82 € |
| SE-A470 A/M8 | 50 | 454,48 € | 9,09 € |
| SE-A460 V/M6 | 50 | 332,76 € | 6,66 € |
| SE-A460 V/M8 | 50 | 472,53 € | 9,46 € |
| SE-A470 A/C2/M6 | 40 | 327,99 € | 8,20 € |
| SE-A470 A/C2/M8 | 40 | 418,50 € | 10,47 € |
| SE-A460 V/C2/M6 | 40 | 318,41 € | 7,97 € |
| SE-A460 V/C2/M8 | 40 | 408,91 € | 10,23 € |

PL-50



A4 & A4/C2

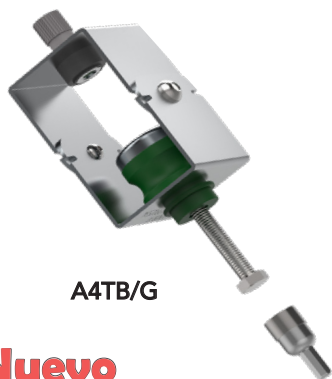




Tarifa CONSTRUCCIÓN

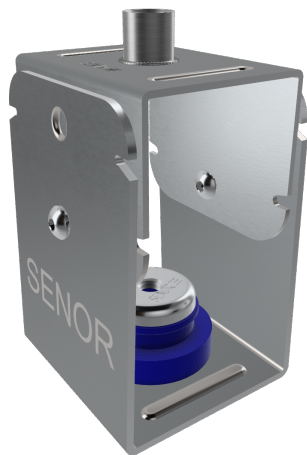
2023

Techo ACÚSTICO / GOMA



A4TB/G

Nuevo
A6/H C



| Referencia | Uds./Caja | P.V €/Caja | €/Ud |
|--------------------------------|-------------|-----------------|----------------|
| Reference | Units / box | RRP € / box | € / Unit |
| PERFIL / PROFILE: TODOS | | | |
| SE-A4TB-50 AG/M6 | 50 | 337,44 € | 6,75 € |
| SE-A4TB-30 VG/M6 | 50 | 325,46 € | 6,51 € |
| PERFIL / PROFILE: TODOS | | | |
| SE-A6/H 50A C/M6 | 30 | 246,00 € | 8,20 € |
| SE-A6/H 50A C/M8 | 30 | 306,00 € | 10,20 € |
| SE-A6/H 30V C/M6 | 30 | 223,50 € | 7,45 € |
| SE-A6/H 30V C/M8 | 30 | 282,60 € | 9,42 € |
| SE-A6/E 50A C/M6 | 30 | 247,20 € | 8,24 € |
| SE-A6/E 50A C/M8 | 30 | 307,20 € | 10,24 € |
| SE-A6/E 30V C/M6 | 30 | 224,10 € | 7,47 € |
| SE-A6/E 30V C/M8 | 30 | 284,40 € | 9,48 € |



A6/H




Nuevo
A6/E

Fabricante de sistemas ANTIVIBRATORIOS

*Precios válidos salvo error tipográfico.

*Precios €/Ud aproximados.

Techo ACÚSTICO / GOMA

| Referencia | Uds./Caja | P.V €/Caja | €/Ud |
|--|-------------|-----------------|---------------|
| Reference | Units / box | RRP € / box | € / Unit |
| <p>PERFIL / PROFILE: 45/48 mm</p>  | | | |
| SE-FTD NIVEL 47/15 | 15 | 118,33 € | 7,89 € |
| SE-FTD NIVEL 47/50 | 50 | 387,36 € | 7,75 € |
| SE-FTD NIVEL 47 T50 | 40 | 314,28 € | 7,86 € |
| SE-FTD NIVEL 47 T80 | 30 | 242,47 € | 8,09 € |
| SE-FTD NIVEL 47 T160 | 40 | 418,09 € | 10,46 € |
| SE-ACC-FTD 47 | 75 | 123,81 € | 1,66 € |



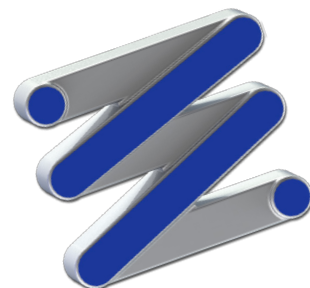
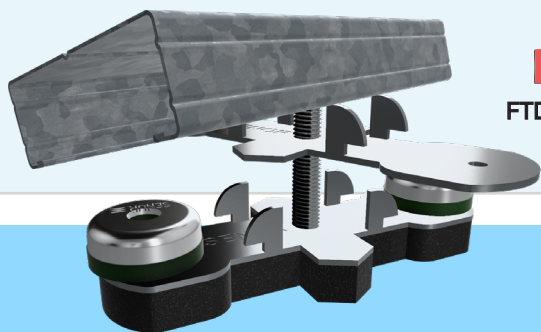
Nuevo
FTD MINI/47



Patentado **PERFIL / PROFILE:** 45/48 mm
ES1293379 U

| | | | |
|---------------------------|-----------|-----------------|---------------|
| SE-FTD MINI/47 | 75 | 375,00 € | 5,00 € |
| SE-FTD MINI/47-C25 | 25 | 131,25 € | 5,25 € |
| SE-FTD MINI/47-NIVEL | 30 | 174,00 € | 5,80 € |

Nuevo
FTD MINI/47-NIVEL



Techo ACÚSTICO / GOMA

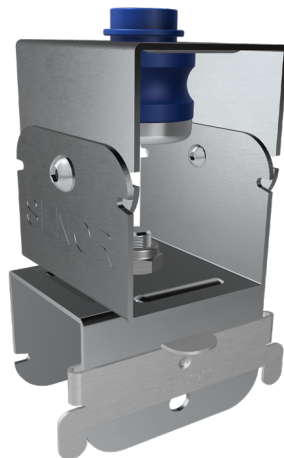
A4TI/47 V DS



A4TI/47 A DS



A4TI/60 ADS



A4TI/60 VDS



| Referencia | Uds./Caja | P.V €/Caja | €/Ud |
|------------|-------------|-------------|----------|
| Reference | Units / box | RRP € / box | € / Unit |

PERFIL / PROFILE: 45/48 mm

| | | | |
|---------------------------|-----------|-----------------|----------------|
| SE-A4TI/47 A DS/M6 | 30 | 257,18 € | 8,58 € |
| SE-A4TI/47 A DS/M8 | 30 | 310,29 € | 10,35 € |
| SE-A4TI/47 V DS/M6 | 30 | 248,80 € | 8,30 € |
| SE-A4TI/47 V DS/M8 | 30 | 302,29 € | 10,08 € |

PERFIL / PROFILE: 60 mm

| | | | |
|---------------------------|-----------|-----------------|----------------|
| SE-A4TI/60 A DS/M6 | 30 | 261,98 € | 8,74 € |
| SE-A4TI/60 A DS/M8 | 30 | 315,47 € | 10,52 € |
| SE-A4TI/60 V DS/M6 | 30 | 252,78 € | 8,43 € |
| SE-A4TI/60 V DS/M8 | 30 | 306,29 € | 10,21 € |

2023

Techo ACÚSTICO / GOMA

T-5000 V

Referencia

Uds./Caja

P.V €/Caja

€/Ud

Reference

Units / box

RRP € / box

€ / Unit

Nuevo

PERFIL / PROFILE: TODOS

| | | | |
|----------------------|------------|-----------------|---------------|
| SE-T5000/A-M6 | 100 | 515,13 € | 5,16 € |
| SE-T5000/A-M8 | 100 | 732,70 € | 7,33 € |
| SE-T5000/V-M6 | 100 | 480,53 € | 4,81 € |
| SE-T5000/V-M8 | 100 | 698,10 € | 6,99 € |
| SE-T5000/G-M6 | 100 | 437,93 € | 4,38 € |

PERFIL / PROFILE: T15, T24, T35 o Similar

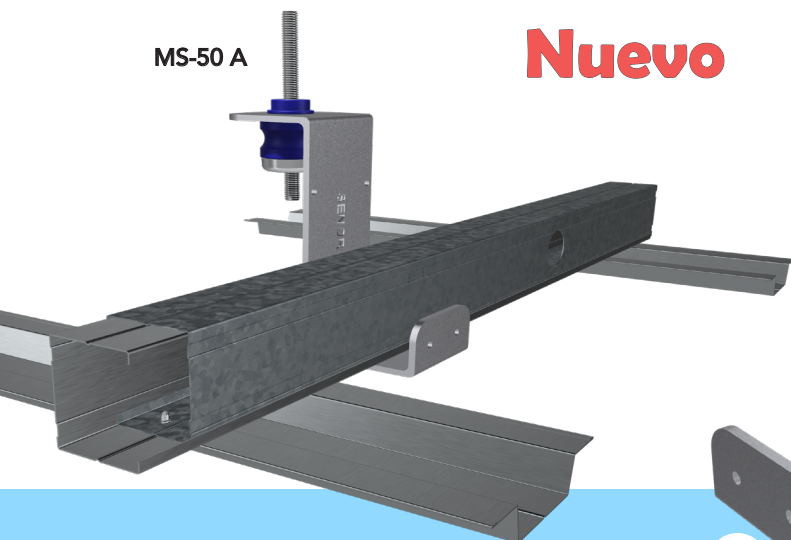
| | | | |
|----------------------|-----------|-----------------|----------------|
| SE-MS-50 V/M6 | 30 | 415,11 € | 13,84 € |
| SE-MS-50 V/M8 | 30 | 543,80 € | 18,13 € |
| SE-MS-50 A/M6 | 30 | 423,06 € | 14,11 € |
| SE-MS-50 A/M8 | 30 | 551,76 € | 18,40 € |

T-5000 A

MS-50 A

Nuevo

MS-50 V



Techo ACÚSTICO / GOMA

105/PC



| Referencia | Uds./Caja | P.V €/Caja | €/Ud |
|--|-------------|-----------------|---------------|
| Reference | Units / box | RRP € / box | € / Unit |
| PERFIL / PROFILE: T15, T24, T35 o Similar | | | |
| SE-105/PCV-M4-30 | 30 | 128,21 € | 4,28 € |
| SE-105/PCV-M6-30 | 30 | 128,21 € | 4,28 € |
| SE-105/PCV-M4-100 | 100 | 402,00 € | 4,02 € |
| SE-105/PCV-M6-100 | 100 | 402,00 € | 4,02 € |
| SE-105/PCCV-M6-30 | 30 | 170,53 € | 5,69 € |
| SE-105/PCCV-M6-100 | 100 | 548,40 € | 5,49 € |

105/PCC



Fabricante de sistemas ANTIVIBRATORIOS

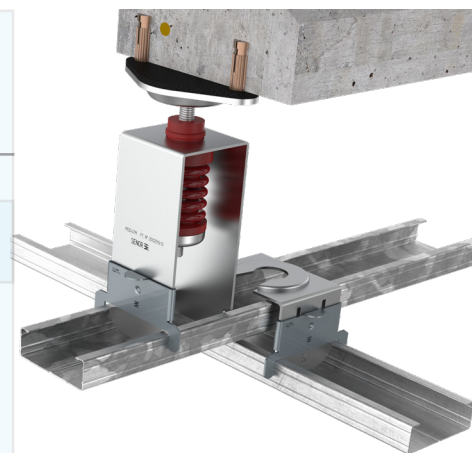
*Precios válidos salvo error tipográfico.

*Precios €/Ud aproximados.

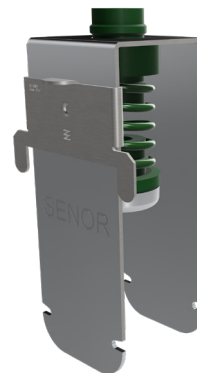
Techo ACÚSTICO / MUELLE + GOMA HÍBRIDO

| Referencia | Uds./Caja | P.V €/Caja | €/Ud |
|-----------------------------------|-------------|-----------------|----------------|
| Reference | Units / box | RRP € / box | € / Unit |
| PERFIL / PROFILE: 45/48 mm | | | |
| SE-4715 G/MDS-M6/50 | 50 | 455,90 € | 9,12 € |
| SE-4715 G/MDS-M8/50 | 50 | 470,55 € | 9,42 € |
| SE-4725 V/MDS-M6/50 | 50 | 475,20 € | 9,51 € |
| SE-4725 V/MDS-M8/50 | 50 | 493,16 € | 9,87 € |
| SE-4750 A/MDS-M6/50 | 50 | 497,82 € | 9,96 € |
| SE-4750 A/MDS-M8/50 | 50 | 515,13 € | 10,31 € |
| SE-4775 R/MDS-M6/50 | 50 | 516,46 € | 10,33 € |
| SE-4775 R/MDS-M8/50 | 50 | 539,75 € | 10,80 € |
| PERFIL / PROFILE: 60 mm | | | |
| SE-6015 G/MDS-M6/35 | 35 | 326,59 € | 9,34 € |
| SE-6015 G/MDS-M8/35 | 35 | 341,03 € | 9,75 € |
| SE-6025 V/MDS-M6/35 | 35 | 347,09 € | 9,92 € |
| SE-6025 V/MDS-M8/35 | 35 | 360,14 € | 10,29 € |
| SE-6050 A/MDS-M6/35 | 35 | 366,64 € | 10,48 € |
| SE-6050 A/MDS-M8/35 | 35 | 379,70 € | 10,85 € |
| SE-6075 R/MDS-M6/35 | 35 | 377,85 € | 10,80 € |
| SE-6075 R/MDS-M8/35 | 35 | 398,80 € | 11,40 € |

4775 R/MDS



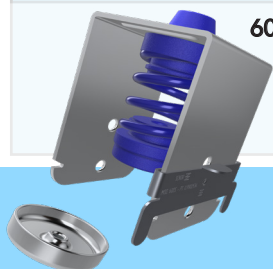
4725 V/MDS



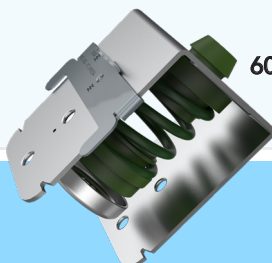
4750 A/MDS



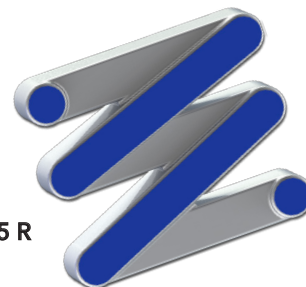
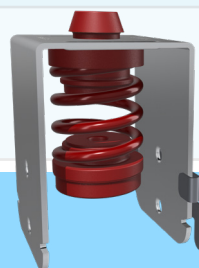
6050 A



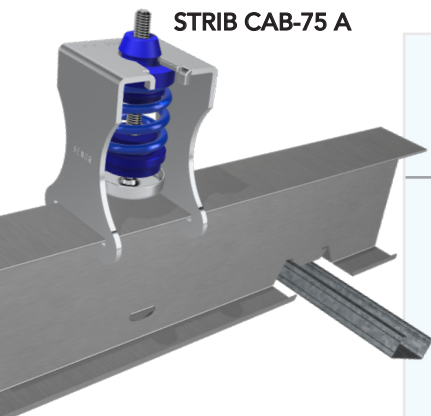
6025 V



6075 R



Techo ACÚSTICO / MUELLE + GOMA HÍBRIDO

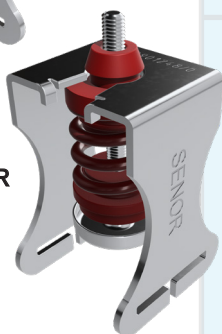


STRIB CAB-75 A



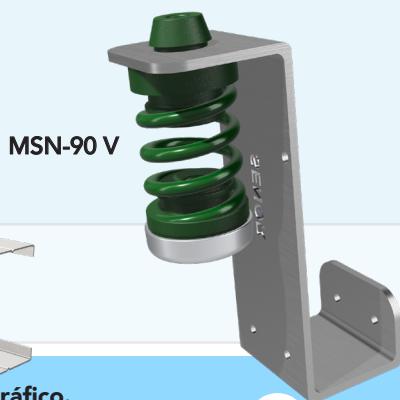
STRIB CAB-45 V

STRIB CAB-120 R



MSN-90 A

Nuevo



MSN-90 V

Nuevo



MSN-90 R

| Referencia | Uds./Caja | P.V €/Caja | €/Ud |
|------------|-------------|-------------|----------|
| Reference | Units / box | RRP € / box | € / Unit |

PERFIL / PROFILE: STIL PRIM-100

| | | | |
|---------------------------------|-----------|-----------------|----------------|
| SE-STRIB CAB 20 G-M6/25 | 25 | 267,56 € | 10,71 € |
| SE-STRIB CAB 20 G-M8/25 | 25 | 305,17 € | 12,21 € |
| SE-STRIB CAB 45 V-M6/25 | 25 | 290,51 € | 11,63 € |
| SE-STRIB CAB 45 V-M8/25 | 25 | 310,82 € | 12,44 € |
| SE-STRIB CAB 75 A-M6/25 | 25 | 314,48 € | 12,58 € |
| SE-STRIB CAB 75 A-M8/25 | 25 | 319,46 € | 12,78 € |
| SE-STRIB CAB 120 R-M6/25 | 25 | 321,79 € | 12,88 € |
| SE-STRIB CAB 120 R-M8/25 | 25 | 326,79 € | 13,08 € |

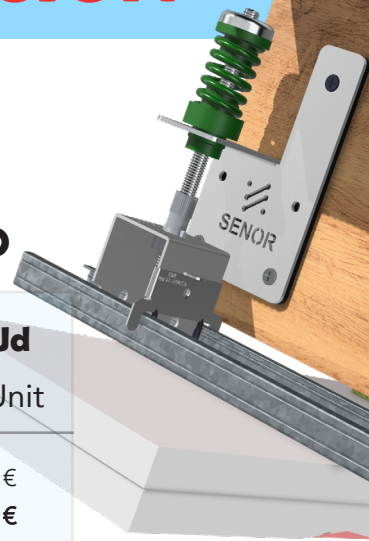
PERFIL / PROFILE: CANAL GL o MONTANTE

| | | | |
|------------------------------|-----------|-----------------|----------------|
| SE-MSN-90 V 45/M6-25 | 25 | 410,31 € | 16,42 € |
| SE-MSN-90 V 45/M8-25 | 25 | 429,44 € | 17,18 € |
| SE-MSN-90 A 75/M6-25 | 25 | 414,97 € | 16,60 € |
| SE-MSN-90 A 75/M8-25 | 25 | 434,80 € | 17,40 € |
| SE-MSN-90 R 120/M6-25 | 25 | 420,29 € | 16,82 € |
| SE-MSN-90 R 120/M8-25 | 25 | 439,03 € | 17,57 € |

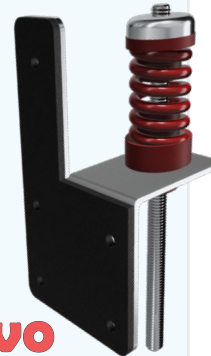
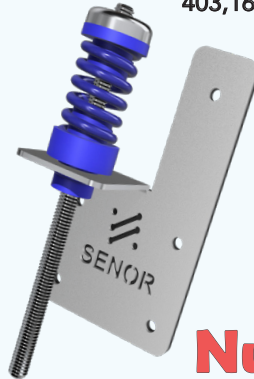
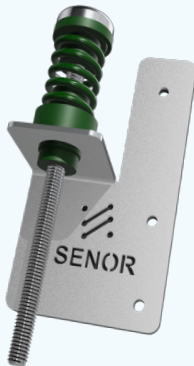
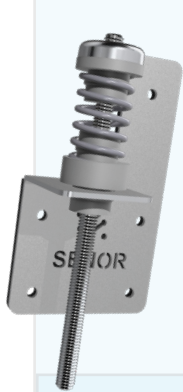
*Precios válidos salvo error tipográfico.

*Precios €/Ud aproximados.

Techo ACÚSTICO / MUELLE + GOMA HÍBRIDO



| Referencia | Uds./Caja | P.V €/Caja | €/Ud |
|------------------------------|-------------|-----------------|----------------|
| Reference | Units / box | RRP € / box | € / Unit |
| SE-T2000/HÍBRIDO 15 G | 30 | 355,17 € | 11,84 € |
| SE-T2000/HÍBRIDO 25 V | 30 | 371,16 € | 12,38 € |
| SE-T2000/HÍBRIDO 50 A | 30 | 387,17 € | 12,91 € |
| SE-T2000/HÍBRIDO 75 R | 30 | 403,16 € | 13,44 € |



A4MIXTO H 45 V/M8

Nuevo

PERFIL / PROFILE: TODOS

| | | | |
|------------------------------------|-----------|-----------------|----------------|
| SE-A4MIXTO H 20 G/C-M6/15 | 15 | 207,46 € | 13,84 € |
| SE-A4MIXTO H 20 G/C-M8/15 | 15 | 210,66 € | 14,05 € |
| SE-A4MIXTO H 45 V/C-M6/15 | 15 | 210,46 € | 14,04 € |
| SE-A4MIXTO H 45 V/C-M8/15 | 15 | 213,66 € | 14,25 € |
| SE-A4MIXTO H 75 A/C-M6/15 | 15 | 212,66 € | 14,18 € |
| SE-A4MIXTO H 75 A/C-M8/15 | 15 | 216,46 € | 14,44 € |
| SE-A4MIXTO H 120 R/C-M6/15 | 15 | 215,85 € | 14,39 € |
| SE-A4MIXTO H 120 R/C-M8/15 | 15 | 219,44 € | 14,63 € |
| SE-A4MIXTO H 20 G/C-M10/15 | 15 | 288,53 € | 19,24 € |
| SE-A4MIXTO H 45 V/C-M10/15 | 15 | 291,72 € | 19,45 € |
| SE-A4MIXTO H 75 A/C-M10/15 | 15 | 294,51 € | 19,64 € |
| SE-A4MIXTO H 120 R/C-M10/15 | 15 | 299,49 € | 19,97 € |



A4MIXTO H 75 A/M10



Tarifa CONSTRUCCIÓN

2023

Techo ACÚSTICO / MUELLE + GOMA HÍBRIDO

A4MIXTO E 20 G



| Referencia | Uds./Caja | P.V €/Caja | €/Ud |
|------------|-------------|-------------|----------|
| Reference | Units / box | RRP € / box | € / Unit |

Nuevo PERFIL / PROFILE: TODOS

| | | | |
|-----------------------------------|-----------|-----------------|----------------|
| SE-A4MIXTO E 20 G/C-M6/15 | 15 | 243,21 € | 16,22 € |
| SE-A4MIXTO E 20 G/C-M8/15 | 15 | 254,78 € | 16,99 € |
| SE-A4MIXTO E 45 V/C-M6/15 | 15 | 246,20 € | 16,42 € |
| SE-A4MIXTO E 45 V/C-M8/15 | 15 | 257,57 € | 17,18 € |
| SE-A4MIXTO E 75 A/C-M6/15 | 15 | 249,00 € | 16,60 € |
| SE-A4MIXTO E 75 A/C-M8/15 | 15 | 260,77 € | 17,39 € |
| SE-A4MIXTO E 120 R/C-M6/15 | 15 | 252,18 € | 16,82 € |
| SE-A4MIXTO E 120 R/C-M8/15 | 15 | 263,37 € | 17,56 € |

A4MIXTO E 45 V



A4MIXTO E 75 A

A4MIXTO E 120 R



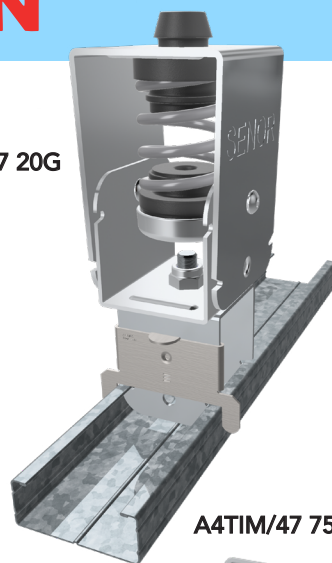
Fabricante de sistemas ANTIVIBRATORIOS

*Precios válidos salvo error tipográfico.

*Precios €/Ud aproximados.

2023

A4TIM/47 20G



A4TIM/47 75 A

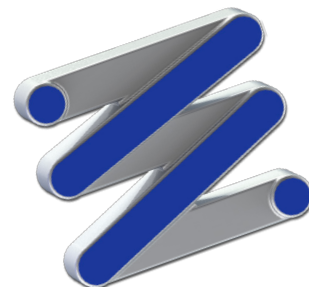
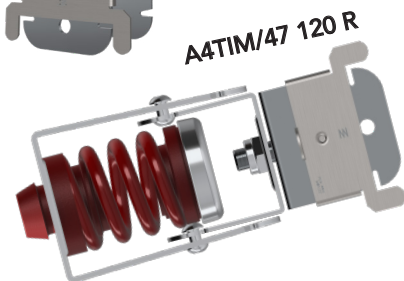
Techo ACÚSTICO / MUELLE + GOMA HÍBRIDO

| Referencia | Uds./Caja | P.V €/Caja | €/Ud |
|-----------------------------------|-------------|-----------------|----------------|
| Reference | Units / box | RRP € / box | € / Unit |
| PERFIL / PROFILE: 45/48 mm | | | |
| SE-A4TIM/47 20G-M6/15 | 15 | 251,32 € | 16,76 € |
| SE-A4TIM/47 20G-M8/15 | 15 | 254,39 € | 16,96 € |
| SE-A4TIM/47 45V-M6/15 | 15 | 254,00 € | 16,94 € |
| SE-A4TIM/47 45V-M8/15 | 15 | 257,26 € | 17,16 € |
| SE-A4TIM/47 75A-M6/15 | 15 | 256,51 € | 17,11 € |
| SE-A4TIM/47 75A-M8/15 | 15 | 259,95 € | 17,33 € |
| SE-A4TIM/47 120R-M6/15 | 15 | 259,38 € | 17,30 € |
| SE-A4TIM/47 120R-M8/15 | 15 | 262,64 € | 17,51 € |
| PERFIL / PROFILE: 60 | | | |
| SE-A4TIM/60 20G-M6/15 | 15 | 254,39 € | 16,96 € |
| SE-A4TIM/60 20G-M8/15 | 15 | 257,46 € | 17,17 € |
| SE-A4TIM/60 45V-M6/15 | 15 | 257,26 € | 17,16 € |
| SE-A4TIM/60 45V-M8/15 | 15 | 260,35 € | 17,36 € |
| SE-A4TIM/60 75A-M6/15 | 15 | 259,57 € | 17,31 € |
| SE-A4TIM/60 75A-M8/15 | 15 | 262,64 € | 17,51 € |
| SE-A4TIM/60 120R-M6/15 | 15 | 262,46 € | 17,50 € |
| SE-A4TIM/60 120R-M8/15 | 15 | 265,89 € | 17,73 € |

A4TIM/47 45 V



A4TIM/47 120 R



SEÑOR

Techo CONTINUO / ROTURA DE PUENTE TÉRMICO

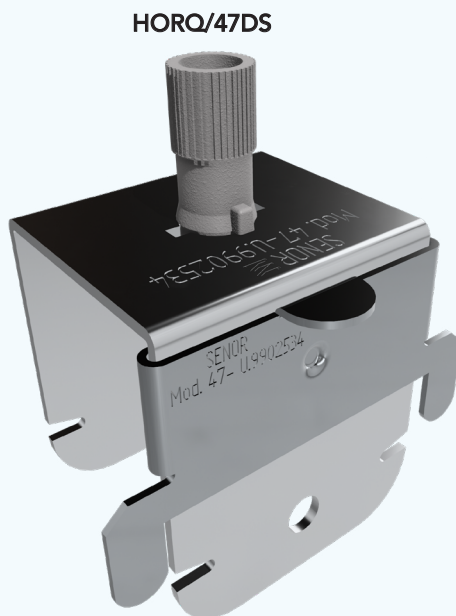


HORQ/47DS

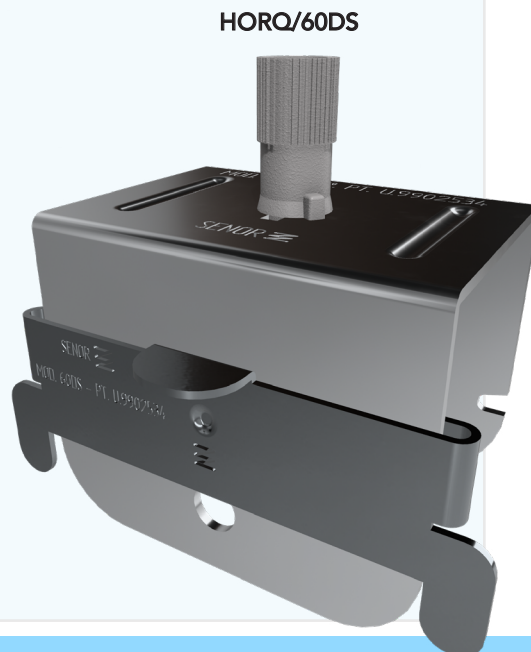


HORQ/60DS

| Referencia | Uds./Caja | P.V €/Caja | €/Ud |
|-----------------------------------|-------------|-------------|----------|
| Reference | Units / box | RRP € / box | € / Unit |
| PERFIL / PROFILE: 45/48 mm | | | |
| SE-HORQ/47DS-M6/30 | 30 | 77,88 € | 2,60 € |
| SE-HORQ/47DS-M6/100 | 100 | 239,60 € | 2,40 € |
| PERFIL / PROFILE: 60 mm | | | |
| SE-HORQ/60DS-M6/24 | 24 | 64,87 € | 2,71 € |
| SE-HORQ/60DS-M6/80 | 80 | 201,27 € | 2,52 € |



HORQ/47DS



HORQ/60DS

*Precios válidos salvo error tipográfico.

*Precios €/Ud aproximados.

2023

Techo CONTINUO / ROTURA DE PUENTE TÉRMICO

| Referencia | Uds./Caja | P.V €/Caja | €/Ud |
|------------|-------------|-------------|----------|
| Reference | Units / box | RRP € / box | € / Unit |

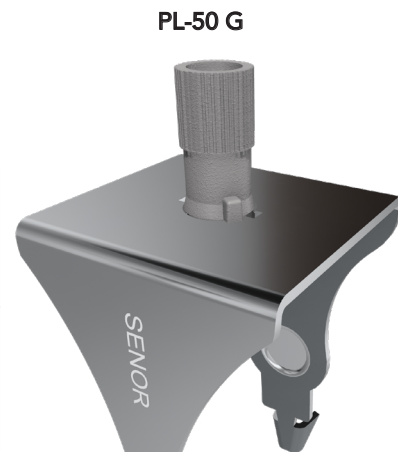
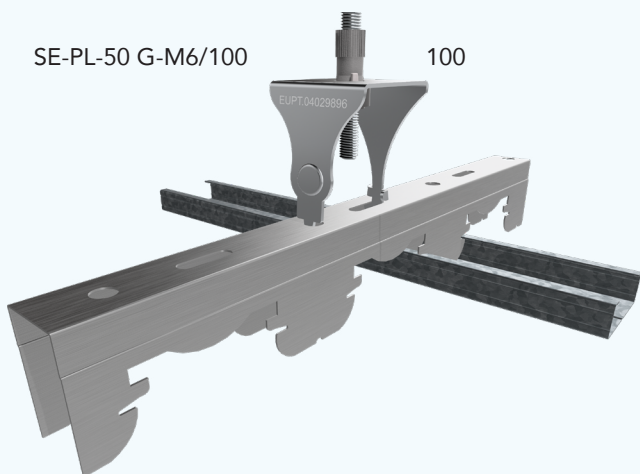
PERFIL / PROFILE: STIL PRIM-50 o SR

SE-PL-50 G-M6/100

100

260,90 €

2,61 €



Techo DESMONTABLE / ROTURA DE PUENTE TÉRMICO

PERFIL / PROFILE: T15, T24, T35 o Similar

SE-TRN/704-M4/20

20

19,99 €

1,00 €

SE-TRN/706-M6/20

20

19,99 €

1,00 €

SE-TRN/704-M4/200

200

199,67 €

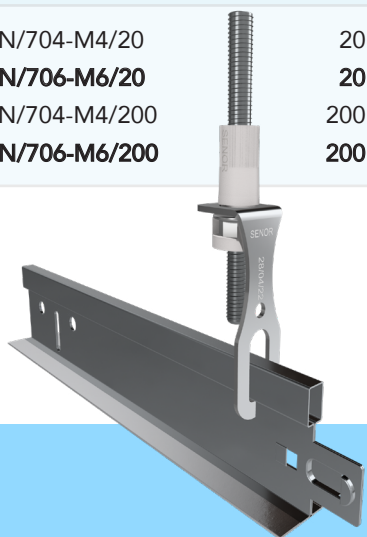
1,00 €

SE-TRN/706-M6/200

200

199,67 €

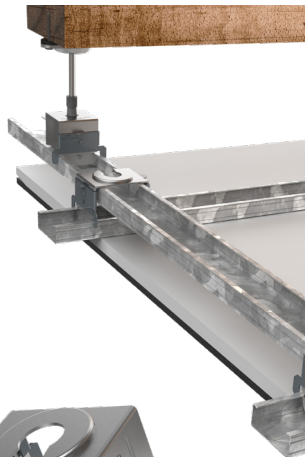
1,00 €



TRN-70



Techo CONTINUO / DOBLE ESTRUCTURA A DISTINTO NIVEL

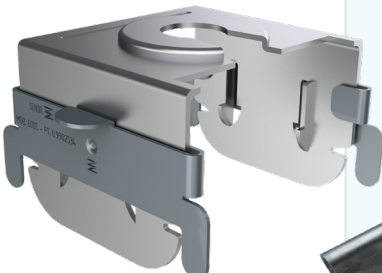


| Referencia | Uds./Caja | P.V €/Caja | €/Ud |
|-----------------------------------|-------------|-------------|----------|
| Reference | Units / box | RRP € / box | € / Unit |
| PERFIL / PROFILE: 45/48 mm | | | |
| SE-F/RAPID 47DS2-100 | 100 | 207,93 € | 2,08 € |
| PERFIL / PROFILE: 60 mm | | | |
| SE-F/RAPID 60DS2-50 | 50 | 115,81 € | 2,32 € |

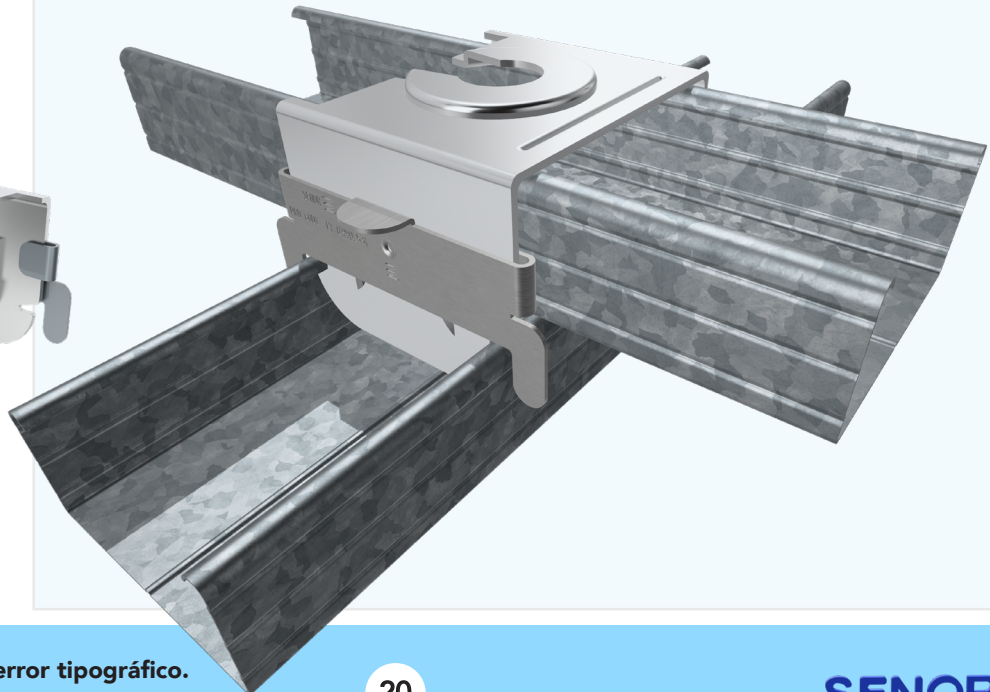
Fabricante de sistemas **ANTIVIBRATORIOS**



Nuevo
F/RAPID 47DS-2



Nuevo
F/RAPID 60DS-2



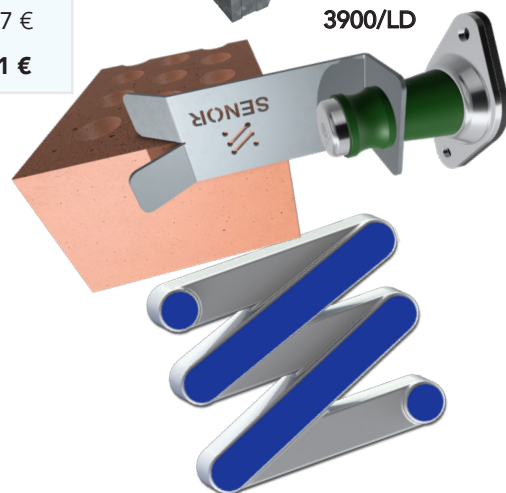
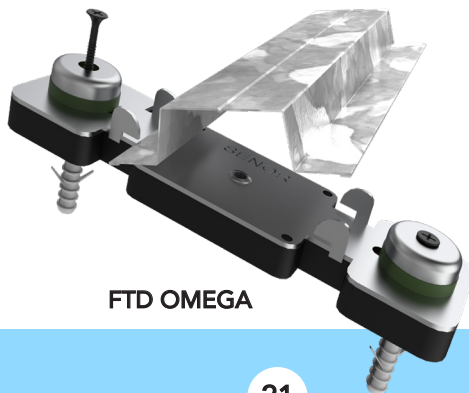
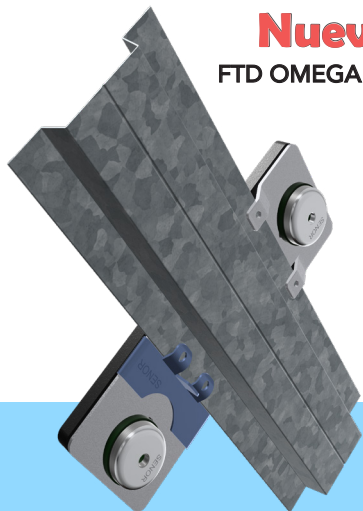
2023

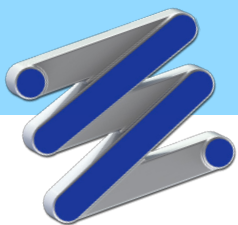
Trasdosado ACÚSTICO / GOMA

| Referencia | Uds./Caja | P.V €/Caja | €/Ud |
|--------------------------------------|-------------|-----------------|---------------|
| Reference | Units / box | RRP € / box | € / Unit |
| PERFIL / PROFILE: MONTANTE | | | |
| SE-3800/TD1 + TA - 24 | 24 | 111,52 € | 4,65 € |
| SE-3800/TD1 + TA - 100 | 100 | 449,92 € | 4,50 € |
| SE-3801/TD1 + TA - 24 | 24 | 109,59 € | 4,57 € |
| SE-3801/TD1 + TA - 100 | 100 | 443,25 € | 4,44 € |
| SE-3802/TD1- 50 | 50 | 350,75 € | 7,02 € |
| SE-3803/TD1- 50 | 50 | 346,10 € | 6,93 € |
| SE-3900/TD2- 45 | 45 | 381,56 € | 8,48 € |
| SE-3901/TD2- 45 | 45 | 373,79 € | 8,31 € |
| MURO / WALL: LADRILLO - BRICK | | | |
| SE-3900/LD- 30 | 30 | 431,96 € | 14,40 € |
| PERFIL / PROFILE: OMEGA | | | |
| SE-FTD OMEGA-50 | 50 | 298,16 € | 5,97 € |
| SE-FTD OMEGA ULTRA | 40 | 292,19 € | 7,31 € |



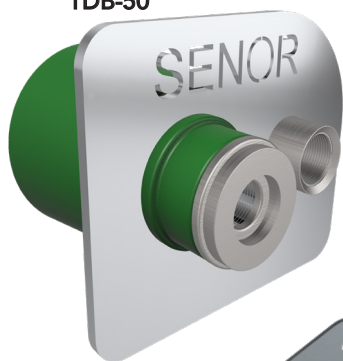
Nuevo
FTD OMEGA ULTRA



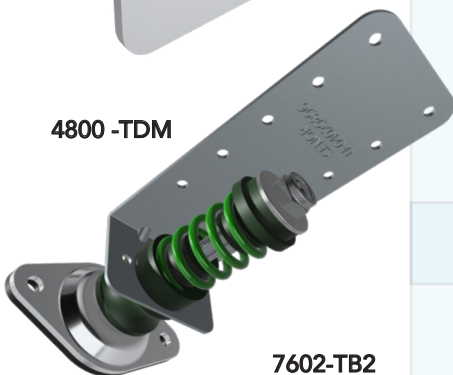


SEÑOR

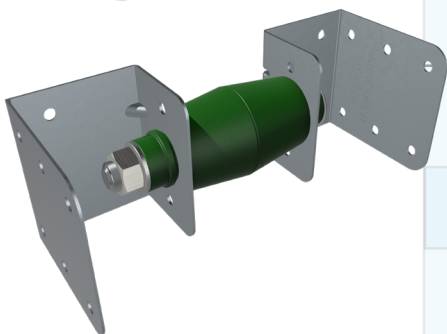
Nuevo
TDB-50



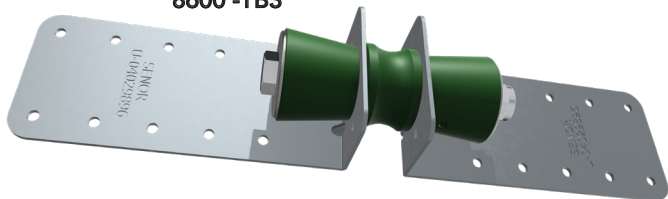
4800 -TDM



7602-TB2



8600 -TB3



Tarifa CONSTRUCCIÓN

2023

Trasdosado ACÚSTICO / **GOMA**

| Referencia | Uds./Caja | P.V €/Caja | €/Ud |
|-----------------------------------|-------------|-------------|----------|
| Reference | Units / box | RRP € / box | € / Unit |
| Nuevo | | | |
| SE-TDB-50 M6/100 | 100 | 737,00 € | 7,37 € |
| SE-TDB-50 M8/100 | 100 | 837,00 € | 8,37 € |
| PERFIL / PROFILE: MONTANTE | | | |
| SE-4800/15-TDM/30 | 30 | 304,29 € | 10,15 € |
| SE-4800/30-TDM/30 | 30 | 307,90 € | 10,27 € |
| SE-4800/50-TDM/30 | 30 | 309,89 € | 10,33 € |
| SE-4800/75-TDM/30 | 30 | 313,08 € | 10,44 € |
| Tabique ACÚSTICO / GOMA | | | |
| PERFIL / PROFILE: MONTANTE | | | |
| SE-7600/TB2-25 | 25 | 177,71 € | 7,11 € |
| SE-7602/TB2-25 | 25 | 172,72 € | 6,91 € |
| SE-8600/TB3-25 | 25 | 227,63 € | 9,11 € |
| SE-8602/TB3-25 | 25 | 223,30 € | 8,94 € |
| Tabique CERÁMICO / GOMA | | | |
| Nuevo | | | |
| SE-7600/LD2-20 | 20 | 378,60 € | 18,93 € |

Fabricante de sistemas **ANTIVIBRATORIOS**

Nuevo
7600/LD2



*Precios válidos salvo error tipográfico.

*Precios €/Ud aproximados.

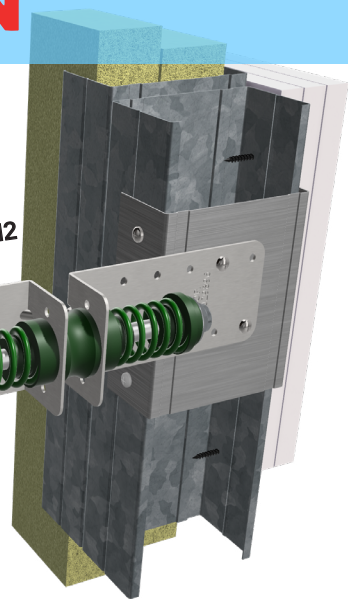
2023

Tabique ACÚSTICO / MUELLE + GOMA HÍBRIDO 9600/TBM2

| Referencia | Uds./Caja | P.V €/Caja | €/Ud |
|-----------------------------------|-------------|-------------|----------|
| Reference | Units / box | RRP € / box | € / Unit |
| PERFIL / PROFILE: MONTANTE | | | |
| SE-9600/15-TBM2/25 | 25 | 278,19 € | 11,13 € |
| SE-9600/30-TBM2/25 | 25 | 294,20 € | 11,77 € |
| SE-9600/50-TBM2/25 | 25 | 310,06 € | 12,41 € |
| SE-9600/75-TBM2/25 | 25 | 323,94 € | 12,96 € |

Bases elásticas para APOYO DE CANAL "PYL"

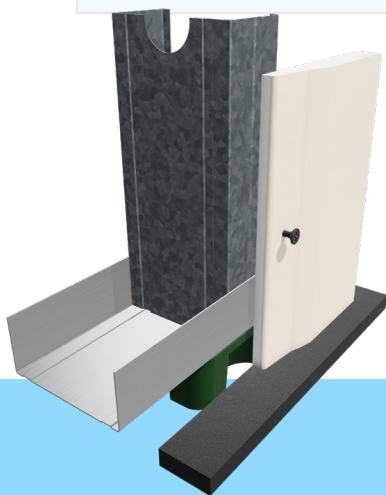
| | | | |
|--------------------------------|----|----------|---------|
| PERFIL / PROFILE: CANAL | | | |
| SE-TMT/50 R-25 | 25 | 228,30 € | 9,14 € |
| SE-TAV-500/11A-12 | 12 | 63,91 € | 5,33 € |
| SE-TAV-500/11R-12 | 12 | 66,48 € | 5,54 € |
| SE-TP/V 150-50 | 50 | 564,38 € | 11,29 € |
| SE-TP/A 280-50 | 50 | 586,33 € | 11,73 € |
| SE-TP/R 400-50 | 50 | 608,97 € | 12,18 € |



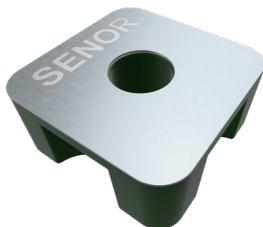
TMT-50 R



Nuevo
TAV-500/11 R

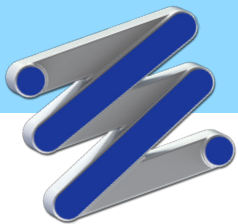


TP-80



Nuevo
TAV-500/11 A





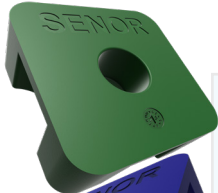
Tarifa CONSTRUCCIÓN

2023

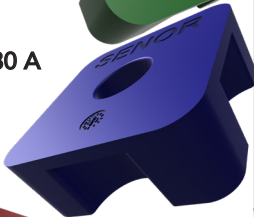
SEÑOR

Suelo Técnico ACÚSTICO / GOMA

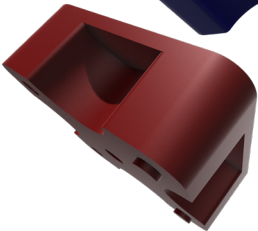
TS-80 V



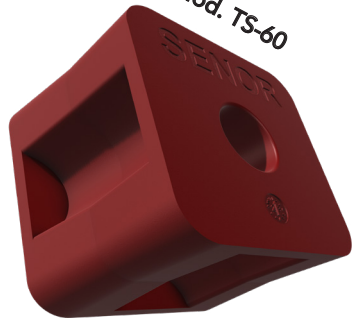
TS-80 A



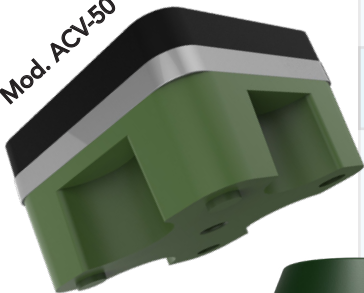
TS-80 R



Mod. TS-60



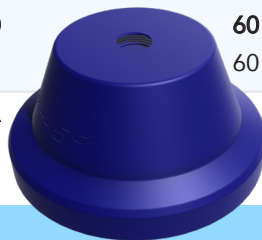
Mod. ACV-50



TSC-20 V



TSC-30 A



TSC-50 R



Referencia

Uds./Caja

P.V €/Caja

€/Ud

Reference

Units / box

RRP € / box

€ / Unit

SE-TS-80 V 150/16

16

114,61 €

7,17 €

SE-TS-80 A 280/16

16

121,41 €

7,59 €

SE-TS-80 R 400/16

16

128,65 €

8,05 €

SE-TS-80 V 150/50

50

348,74 €

6,98 €

SE-TS-80 A 280/50

50

370,04 €

7,41 €

SE-TS-80 R 400/50

50

390,68 €

7,82 €

SE-TS-60 V 150/25

25

384,69 €

15,39 €

SE-TS-60 A 280/25

25

405,65 €

16,23 €

SE-TS-60 R 400/25

25

426,95 €

17,08 €

Nuevo

SE-ACV-50/150 V/30

30

875,13 €

29,18 €

SE-ACV-50/280 A/30

30

886,64 €

29,56 €

SE-ACV-50/400 R/30

30

898,16 €

29,94 €

CAPA DE COMPRESIÓN / COMPRESSION LAYER: HORMIGÓN / CONCRETE

Suelo Técnico **LIGERO** ACÚSTICO / GOMA

SE-TSC-20 V/60

60

371,38 €

6,19 €

SE-TSC-30 A/60

60

406,52 €

6,78 €

SE-TSC-50 R/60

60

432,07 €

7,21 €

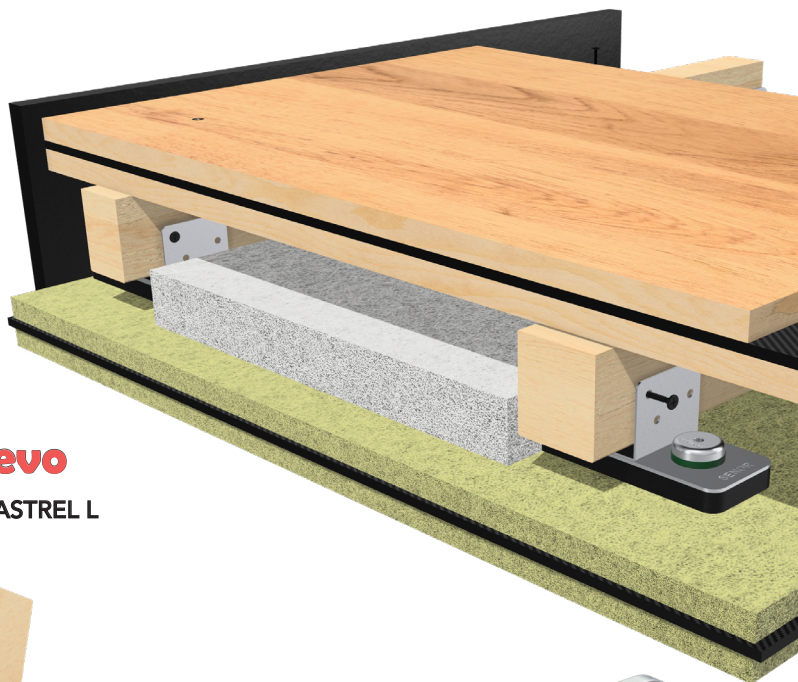
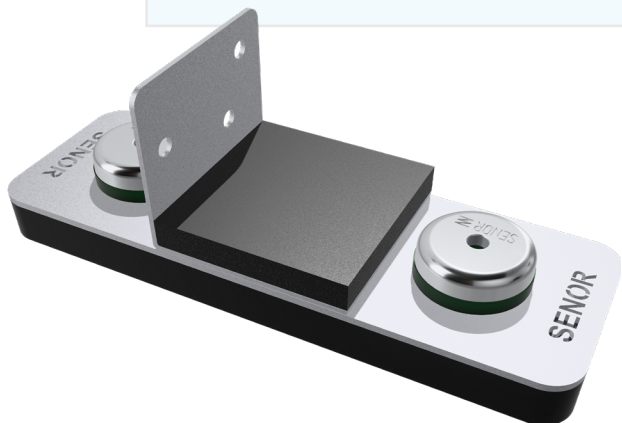
*Precios válidos salvo error tipográfico.

*Precios €/Ud aproximados.

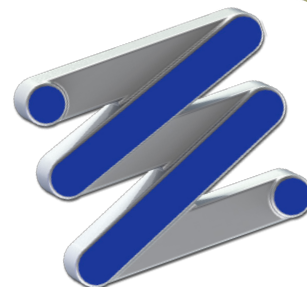
2023

Suelo Técnico **LIGERO ACÚSTICO / GOMA**

| Referencia | Uds./Caja | P.V €/Caja | €/Ud |
|-------------------------|-------------|-----------------|----------------|
| Reference | Units / box | RRP € / box | € / Unit |
| SE-FTD RASTREL | 30 | 313,19 € | 10,44 € |
| SE-FTD RASTREL-L | 40 | 428,87 € | 10,73 € |



Nuevo
FTD-RASTREL L

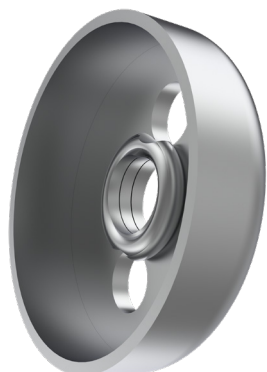


ACCESORIOS / ACCESSORIES

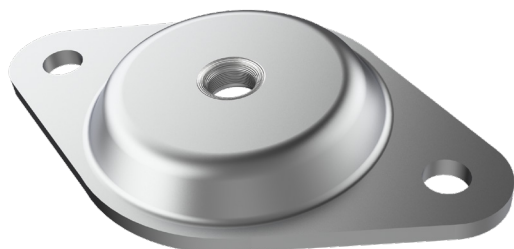
CN4-2



CN6-2



SR



SRC



| Referencia | Uds./Caja | P.V €/Caja | €/Ud |
|--|-------------|-----------------|---------------|
| Reference | Units / box | RRP € / box | € / Unit |
| BAJO PYL/ UNDER THE PLASTERBOARD | | | |
| SE-CN4-2-M4-100 | 100 | 85,20 € | 0,86 € |
| SE-CN4-2-M4-30 | 30 | 26,38 € | 0,88 € |
| SE-CN6-2-M6-100 | 100 | 87,87 € | 0,88 € |
| SE-CN6-2-M6-30 | 30 | 27,17 € | 0,91 € |
| BAJO VIGAS DE MADERA O SIMILAR / WOODEN JOISTS OR SIMILAR | | | |
| SE-SR-M6-75 | 75 | 100,85 € | 1,35 € |
| SE-SR-M8-75 | 75 | 107,83 € | 1,44 € |
| SE-SRC-M6-75 | 75 | 133,80 € | 1,79 € |
| SE-SRC-M8-75 | 75 | 140,77 € | 1,88 € |
| SE-SRC-M6-250 | 250 | 445,96 € | 1,79 € |
| SE-CGT-M6 | 100 | 80,60 € | 0,81 € |

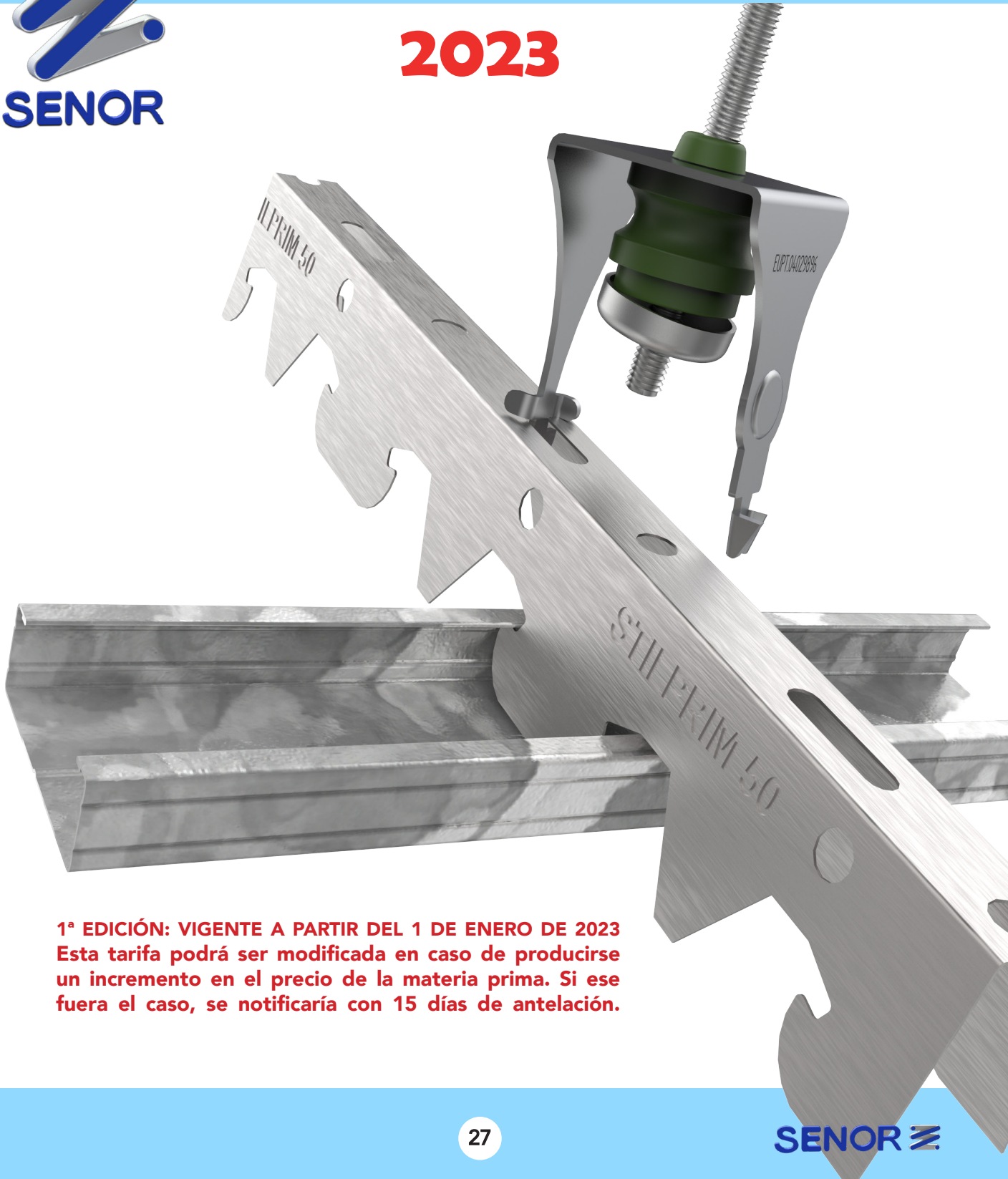
*Precios válidos salvo error tipográfico.

*Precios €/Ud aproximados.



Tarifa CONSTRUCCIÓN

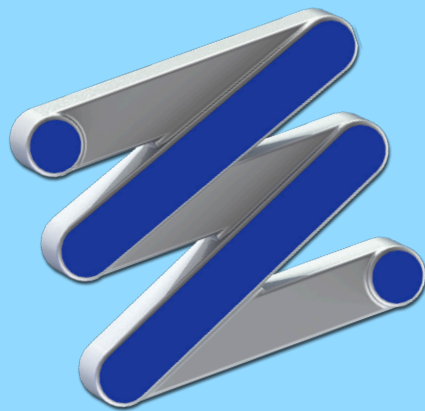
2023



1ª EDICIÓN: VIGENTE A PARTIR DEL 1 DE ENERO DE 2023
Esta tarifa podrá ser modificada en caso de producirse un incremento en el precio de la materia prima. Si ese fuera el caso, se notificaría con 15 días de antelación.

Un Mundo de Soluciones Acústicas

A World of Acoustic Solutions



SEÑOR